

CATALOG NO.	CONDUCTOR		BOLT SIZE	FIG. NO.	DIMENSIONS								INSTALLATION TOOLING (# CRIMPS)												
	CODE (AWG)	NAVY ⁵			B	C	H	K DIA.	L	N	O.D.	T REF.	Z MIN.	DIE INDEX	COLOR CODE	MECHANICAL			HYDRAULIC			DIELESS (# CRIMPS)	WIRE STRIP LENGTH		
					±.06	±.04	MAX.	±.02	±.15	±.06	±.01					MD7-34R MD6	OUR840	Y8MRB-1 Y2MR	BCT500 Y500CT	Y750 Y35,PAT35 Y39,PAT750	Y46 ⁴			Y45 ³	
YAZ8CTC10	#8 WELD #8 AWG. [10 mm ² STR]	23	#10 [M5]	1	.75 [19]	.41 [10]	--	.21 [5]	1.43 [36]	.25 [6]	.27 [7]	.08 [2]	.27 [7]	49	RED	W8CRT (2) W8CVT (2)	X8CRT (2) W8CVT (2)	RED (2)	X8CRT (2) W8CRT (2) W8CVT (2)	U8CRT (2) ⁸	U8CRT (2) ⁸	U8CRT (2) ⁸	MECHANICAL: MY29- (1)	13/16	
YAZ8CTC1045				2		.91 [23]	.21 [5]	1.37 [35]	.25 [6]	.27 [7]															
YAZ8CTC1090 ¹⁰				3			1.00 [25]	.21 [5]	1.74 [44]	.25 [6]	.27 [7]														
YAZ8CTC14	#8 WELD #8 AWG. [10 mm ² STR]	23	1/4 [M6]	1		--	.27 [7]	1.56 [40]	.31 [8]	.08 [2]	.33 [8]														
YAZ8CTC1445				2	.44 [11]	.90 [23]	.27 [7]	1.48 [38]	.31 [8]	.08 [2]	.33 [8]														
YAZ8CTC1490 ¹⁰				3		1.00 [25]	.27 [7]	.86 [22]	.31 [8]	.08 [2]	.33 [8]														
YAZ8CTC38	#8 WELD #8 AWG. [10 mm ² STR]	23	3/8 [M10]	1		--	.40 [10]	1.75 [44]	.41 [10]	.06 [2]	.42 [11]														
YAZ8CTC3845				2	.75 [19]	.58 [15]	.90 [23]	.40 [10]	1.62 [41]	.41 [10]	.06 [2]	.42 [11]													
YAZ8CTC3890 ¹⁰				3		1.00 [25]	.40 [10]	1.04 [26]	.41 [10]	.06 [2]	.42 [11]														

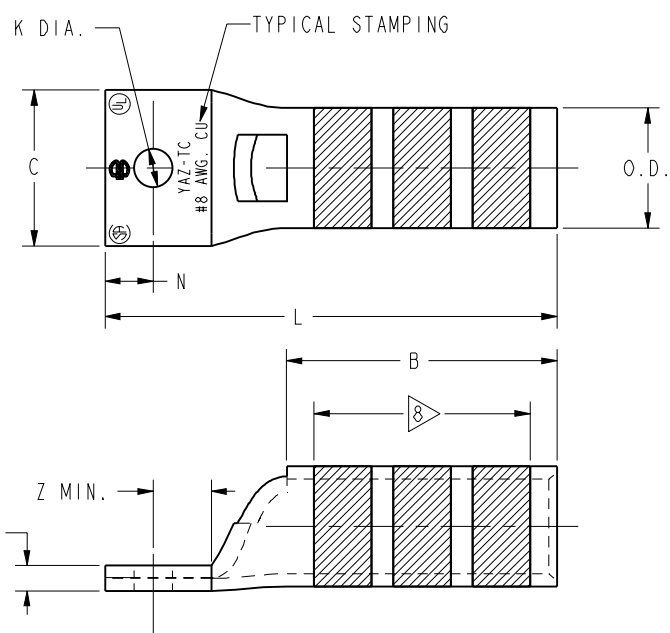


FIG. 1

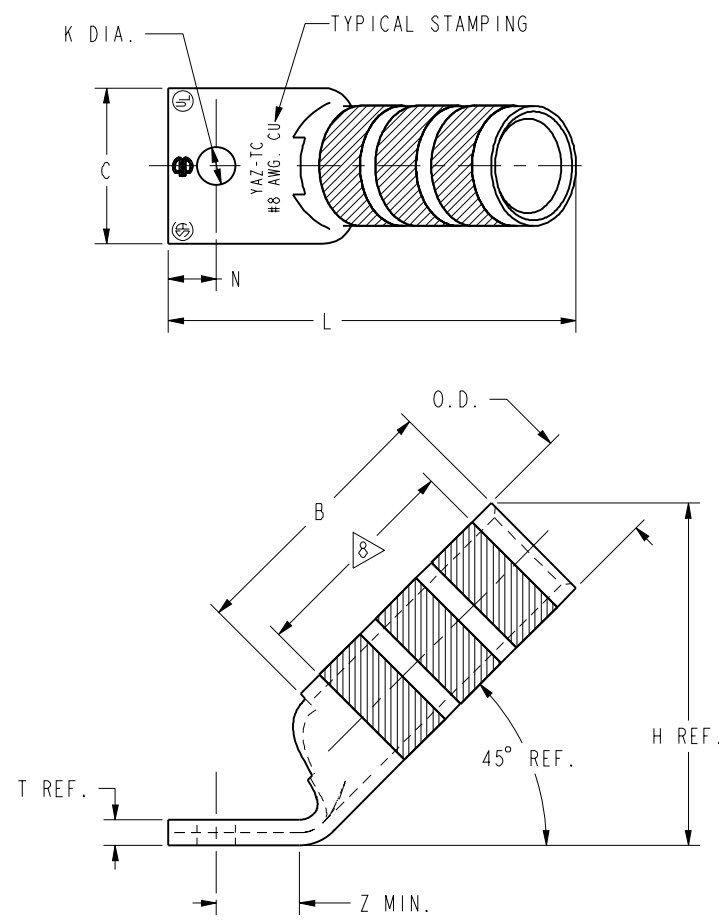


FIG. 2

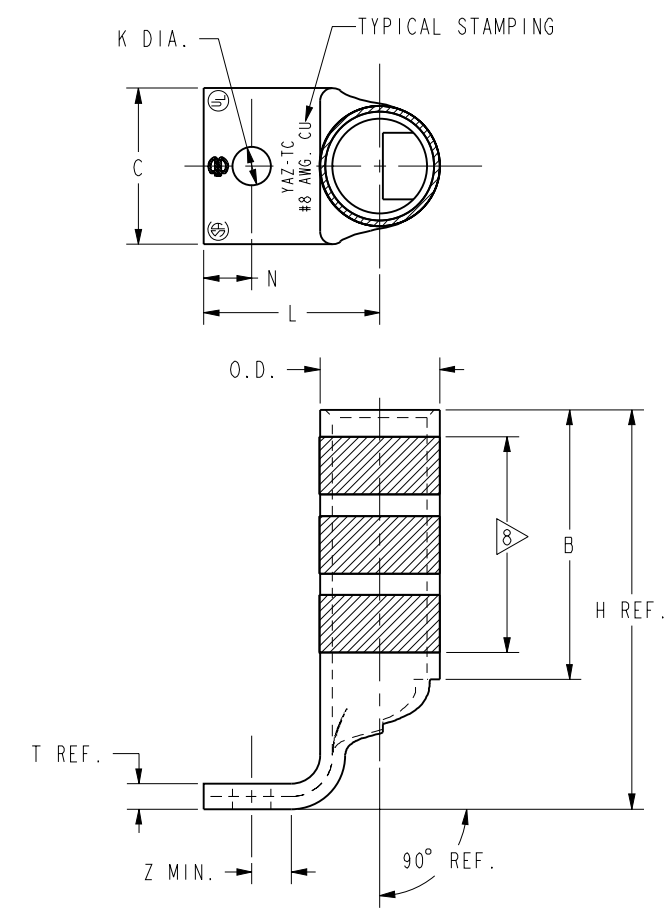


FIG. 3

- NOTES:
- MATERIAL: COPPER TUBING.
 - FINISH: TIN PLATED
 - CATALOG # PT6515 ADAPTOR IS REQUIRED TO USE " U " DIES IN Y45 SERIES TOOLS.
 - CATALOG # PUADP-1 ADAPTOR IS REQUIRED TO USE " U " DIES IN Y46 SERIES TOOLS.
 - NAVY CABLE SIZE MAY BE OMITTED ON SOME SIZES BECAUSE OF SPACE LIMITATIONS.
 - PERMANENT DIE IN TOOLING.
 - DIMENSIONS IN BRACKETS [] ARE IN MILLIMETERS. DIMENSIONS ARE ROUNDED OFF TO THE NEAREST MILLIMETER, UNLESS OTHERWISE NOTED, AND ARE FOR REFERENCE ONLY.
 - OVERLAP 2 CRIMPS AS NEEDED WITHIN THE LENGTH BETWEEN THE INK STAMPED CRIMPING AREA.
 - UL LISTED AND CSA CERTIFIED CONNECTOR.
 - THESE CATALOG NUMBERS CANNOT BE INSTALLED WITH U8CRT DIE.

TO ORDER BURNDY® PRODUCTS CALL		HYLUGS™ (ONE HOLE FLEX)	
UNITED STATES		ITEM NO: --	
1-800-346-4175 (LONDONDERRY, NH)		CAT. NO: YAZ8C-TC- (TABLE)	
CANADA:		DRAWN BY: D. BOISVERT 08/22/00	
1-800-361-6975 (QUEBEC)		CHECKER: J. MICHAUD 08/28/00	
1-800-387-6487 (ALL OTHER PROVINCES)		DSN APPVL: J. MICHAUD 08/21/00	
FOR PRODUCT INFO: http://www.burndy.com		MFG APPVL: T. THRELFALL	
		QA APPVL: T. WATTS	
		MKT APPVL: J. SYLVIA	
		SCALE: 1:1	
		PROD FAM: CM&R COMPRESSION	
		DRAWING NO	
		PROJECT #: --	
		SIZE	
		SE212448	
		DOCUMENT TYPE: Sales	
		SHEET 1 OF 16	
		REL LEVEL: Released	

REV	DATE	DESCRIPTION	ECO	BY	C'H'K.
C	08/05/2015 11:26:00 AM	NOTE 10 ADDED	41185	BSB	RG

REV: PE0200